

4

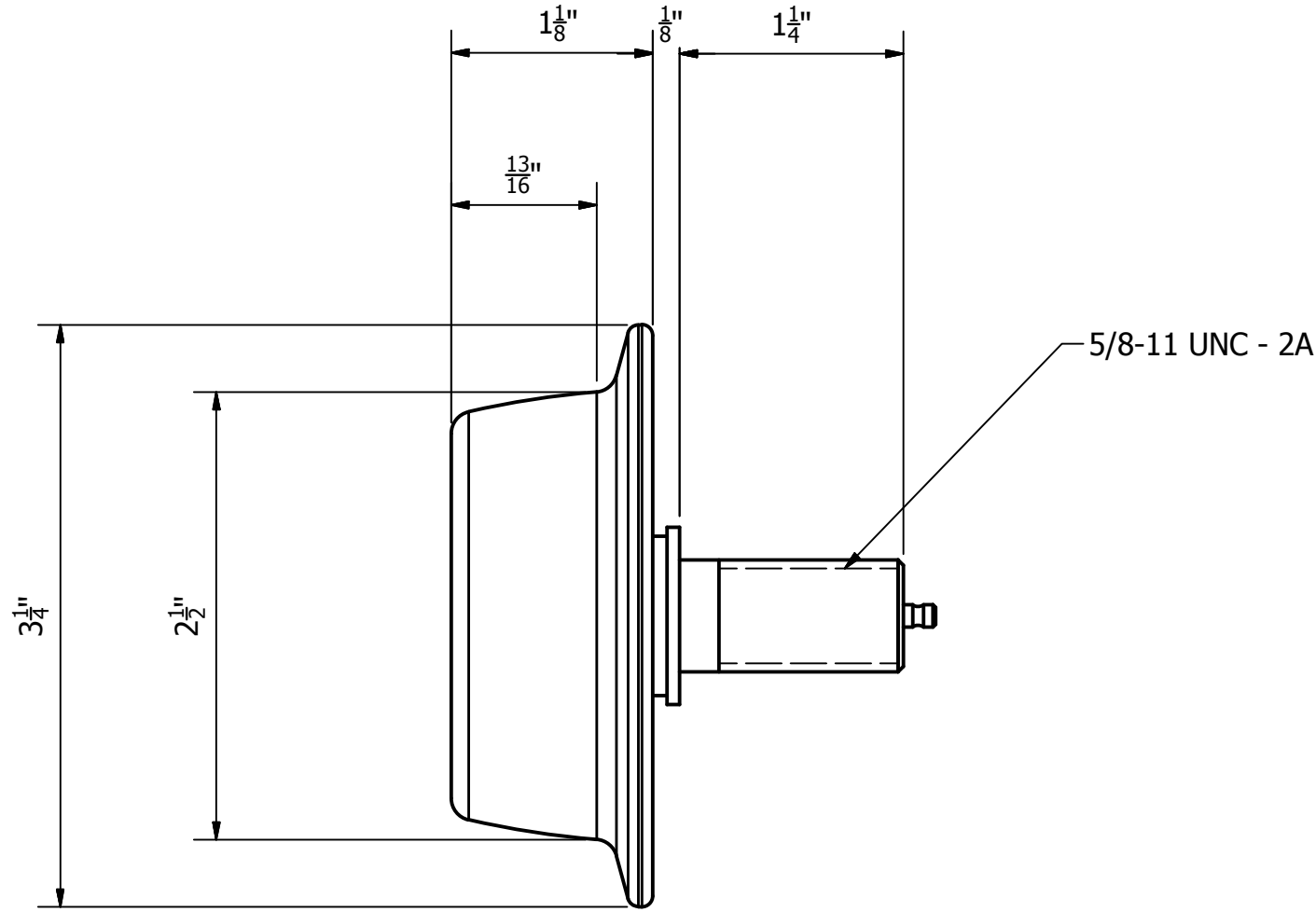
3

2

1

B

B




S250CT325-58

A

A

A

A

DRAWN jkm	4/20/2010	 GREY HUB ® <i>A Division of Versa Handling Company</i>		
CHECKED		TITLE		
QA		TITLE		
MFG		TITLE		
APPROVED		TITLE		
		SIZE B	DWG NO CROWN TREAD WHEELS	REV
		SCALE	SHEET 4 OF 12	

4

3

2

1

A