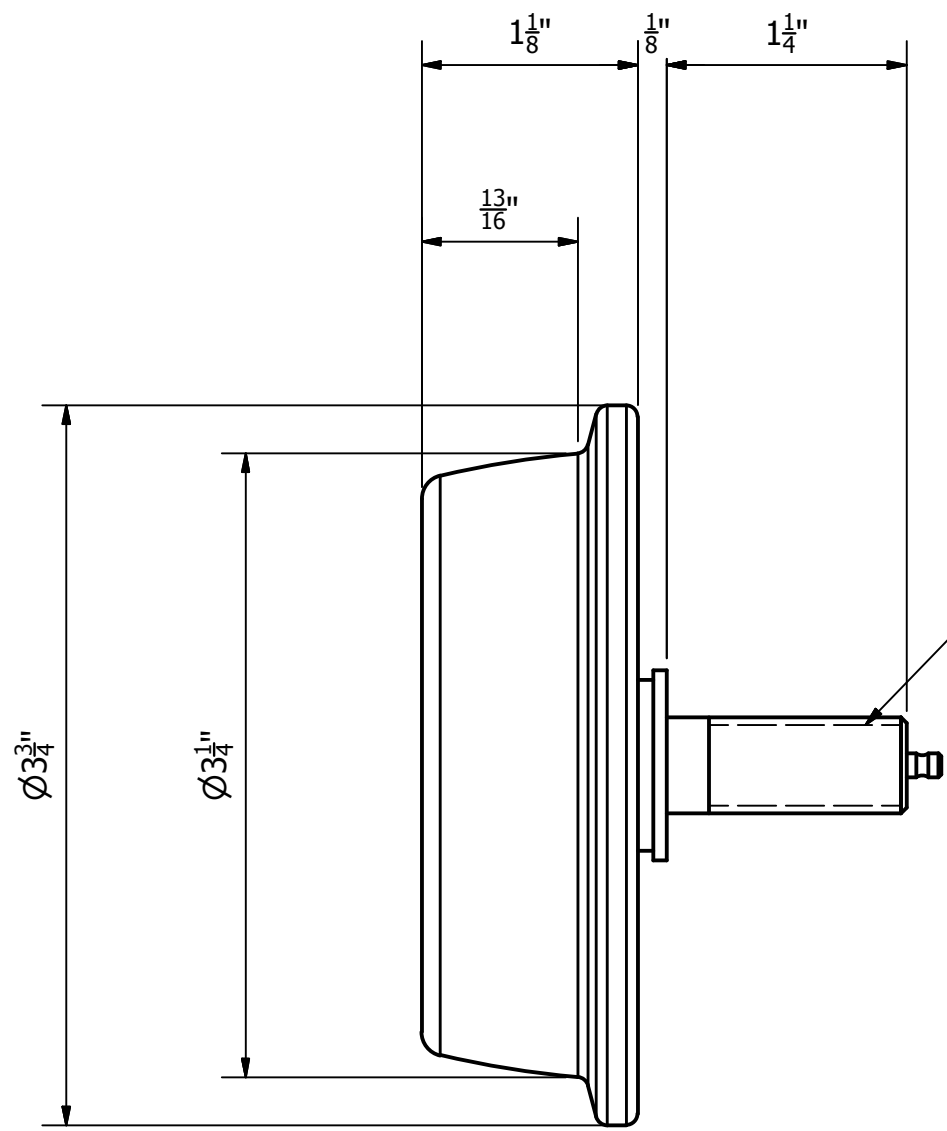



4 3 2 1



1/2-13 UNC - 2A

S325CT375-12

DRAWN jkm	4/20/2010	 <i>A Division of Versa Handling Company</i>		
CHECKED		TITLE		
QA				
MFG				
APPROVED				
		SIZE B	DWG NO CROWN TREAD WHEELS	REV
		SCALE	SHEET 9 OF 12	

4 3 2 1